



## **Bath Ventilation Kit**

Installation and Operation Manual

*CVK-105/210/260/450 / VK-105/210/260/450*



### INTRODUCTION

Congratulations on your purchase of an AirScape Bath Ventilation Kit! It is designed to quietly move an abundance of air, keeping your bathroom fresh and serene. Please take the time to read this entire manual before proceeding with installation.

### CAUTIONS / WARNINGS

- Prior to installation, service, or cleaning of the unit, switch power off at the main circuit panel.
- Installation and wiring must be done in accordance with local codes and standards.
- This unit is only for use in non-fire-rated installations.
- Do NOT install the switch where it can be reached from a tub or shower.
- For general ventilation use only. Not for use to exhaust hazardous or explosive material and vapors.

## WHAT'S INCLUDED

Before going any further, take a quick inventory of everything included in your kit.

**Table 1. Kit Contents**

Model #	Fan	Plenum & Damper	Grille	Duct	Y-Fitting	Roof Cap / Wall Hood	Electronic Timer	Tie Wraps
CVK-105	1qty	1qty w/ 6"-4" reducer	1qty	4" 25ft length	N/A	1qty	1qty	4qty
CVK-210	1qty	1qty	1qty	6" 25ft length	N/A	1qty	1qty	4qty
CVK-260	1qty	2qty	2qty	6" 25ft length	1qty 6" x 6" x 6"	1qty	1qty	7qty
CVK-450	1qty	2qty	2qty	8" & 6" 25ft lengths	1qty 8" x 6" x 6"	1qty	1qty	7qty
VK-105	1qty	1qty w/ 6"-4" reducer	1qty	N/A	N/A	N/A	N/A	N/A
VK-210	1qty	1qty	1qty	N/A	N/A	N/A	N/A	N/A
VK-260	1qty	2qty	2qty	N/A	N/A	N/A	N/A	N/A
VK-450	1qty	2qty	2qty	N/A	N/A	N/A	N/A	N/A

## CHOOSING A LOCATION

Make these considerations while selecting locations for the components of your AirScape Bath Ventilation Kit.

### Intake Location(s):

- Position the intake(s) above the sources of odor and moisture to be eliminated.
- Choose a position away from windows or doors to ensure effective air exchange and circulation.
- (CVK-260/450 ONLY): The additional intake/grille/damper included with these kits makes it possible to ventilate one large bathroom from two locations, or two adjacent bathrooms simultaneously. For the latter option, a second timer (sold separately) would be necessary.



### Fan Location:

- Choose a location in the attic that will be accessible for service.
- A minimum of 8 feet is recommended between the fan and intake grille(s) for quiet operation.
- The longer the duct run, the quieter the fan will be.
- Also consider the total length of duct that your kit includes, being careful not to come up short.

### Roof Cap/ Wall Hood Location:

- Apart from aesthetic considerations, select a location in close enough proximity for the length of duct included with your kit.

## INSTALLATION

AirScape Bath Ventilation Kits are designed to be installed quickly and easily. Once all of the fixed components are mounted, they are simply connected using the provided flex-duct and cable ties. Straightforward wiring to the included electronic push-button timer completes the job.

### Plenum Assembly and Installation:

1. Assemble galvanized plenum box w/ back-draft damper as pictured, ensuring that the damper is installed in the correct direction to allow for airflow toward the fan.
- \*CVK-105 only: Attach included 6" - 4" reducer to backdraft damper.
2. Check for clearance above planned location(s) for plenum/duct in the attic.
3. Cut a 6" square out of the sheetrock in the planned location (see installation template on final page of this manual for assistance).
4. Place plenum box over rough opening.
5. Using the template provided on the page 7 of this manual, drive four drywall screws (not provided) from below around the perimeter to attach the plenum to the sheetrock. Carefully position the drywall screws as to ensure the heads will be covered by the grille flange, as shown on the template provided.
6. Attach grille from underneath, and adjust spring clips with pliers if necessary to achieve a snug fit.

\*CVK-260/450 only: Repeat these steps to attach the second plenum.

### Fan Installation:

The fan can be mounted in any orientation.

1. Attach the mounting bracket to framing member at appropriate location.
2. Attach fan to mounting bracket using the provided sheet metal screws.
3. Electrical connection: The fan can be plugged into an outlet in the attic using the supplied 3-prong power cord, or alternatively, the power cord can be removed and the fan can be hardwired directly to the timer switch (see **Figure 1. Timer & Fan Wiring**, on page 4). Please consult local codes for standards, and/or contact an electrician for further assistance with the wiring.

**Note: The following instructions ONLY apply to models CVK-105/210/260/450**

### Roof Cap / Wall Hood Installation:

\*Use caution when walking on roofs and ladders.

1. Cut the proper size circular hole in the roof or wall at the location desired.
2. Use proper approved methods to attach the roof cap / wall hood and ensure a leak-proof seal around the flashing.

### Flex-Duct Installation:

The components are attached together using insulated acoustic flex-duct.

1. To attach the duct to a collar, pull back the outer foil and insulation layers to expose the black poly liner with spring coil.
2. Next, pull this coil liner over the collar and wrap it with a cable tie (provided).
3. Finally, pull the insulation and foil layers over the collar and, for an airtight seal, use duct tape (sold separately).

## Timer Installation:

The included decora-style electronic timer installs into a standard single-gang electrical box (not included). A second timer (sold separately) can be wired to a single fan for dual-bath ventilation (see below) Be sure to shut off power prior at the circuit panel prior to any electrical wiring, and refer to local codes for proper and approved methods.

1. Run wire from the fan (or outlet) in the attic to the location in the wall where the timer will be installed.
2. Connect leads using approved methods, following the proper wiring diagram shown below.

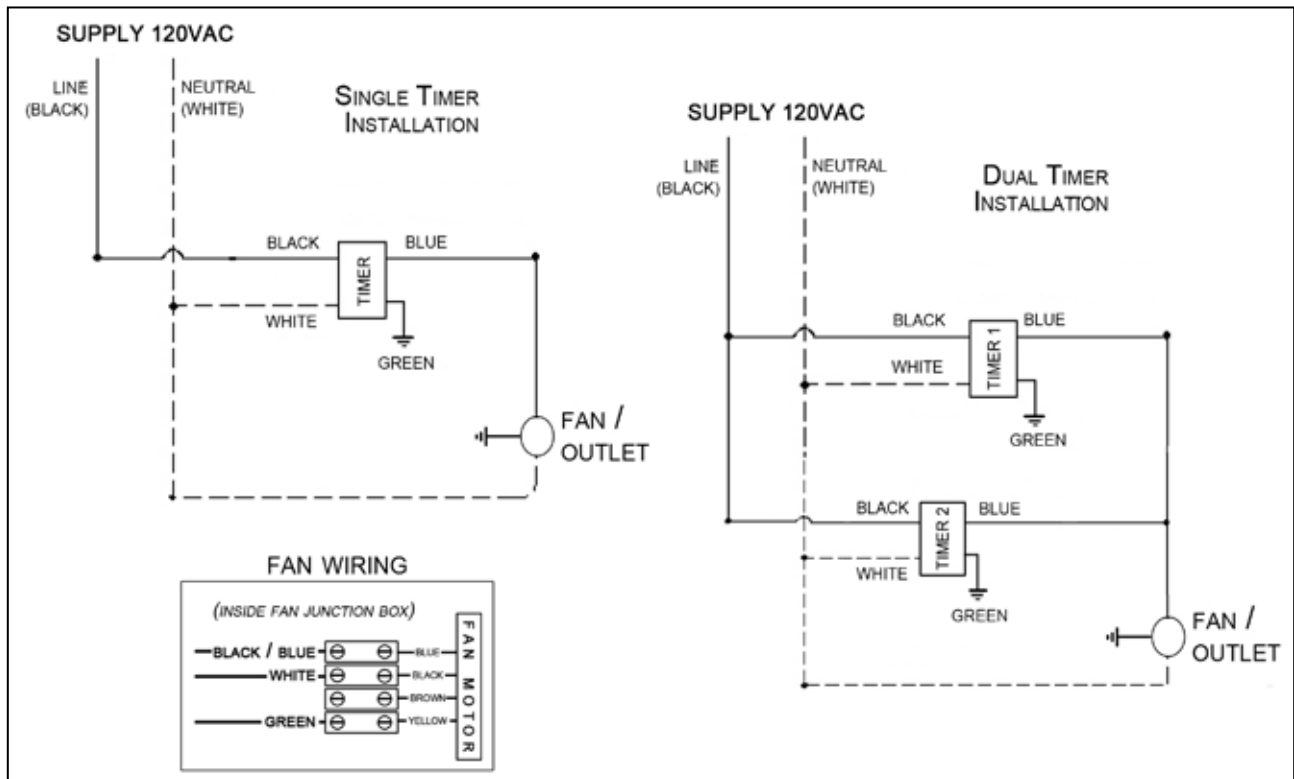


Figure 1. Timer & Fan Wiring

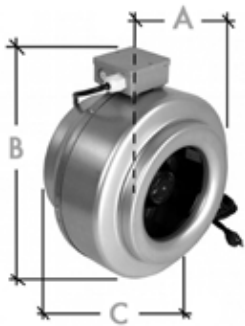
## OPERATION

Once installed, operation of your AirScape Bath Ventilation Kit is as simple as a push of a button. Generally, it is recommended to have a bath fan continue to run for 20 minutes after the conclusion of a shower. With the 10/20/30/60 minute operation of the included electronic push-button timer, this can be achieved with convenience and ease.

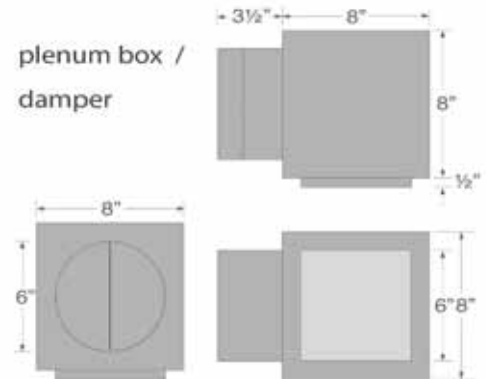
## MAINTENANCE

Since the fan bearings are permanently lubricated and sealed, there is no periodic maintenance necessary.

## SPECIFICATIONS / DIMENSIONS



	CFM	A	B	C	FAN SPECS
CVK-105	105	4"	11"	8"	
CVK-210	210	6"	12 <sup>5</sup> / <sub>8</sub> "	7 <sup>3</sup> / <sub>8</sub> "	
CVK-260	260	6"	12 <sup>5</sup> / <sub>8</sub> "	7 <sup>3</sup> / <sub>8</sub> "	
CVK-450	450	8"	14 <sup>3</sup> / <sub>4</sub> "	8 <sup>1</sup> / <sub>4</sub> "	



## TROUBLESHOOTING

### **Problem: Fan will not turn on.**

- Make sure power is turned on at the breaker. Check wiring to fan and timer switch. Check fan to ensure impeller can spin freely.

### **Problem: Fan is noisy.**

- Determine location of noise source. Check duct runs for kinks. Check duct connections to ensure inner coil is not collapsed. If fan vibration is the problem, try using rubberized washers or gasket to dampen the noise, or hang the fan using metal strapping and vibration absorbing material.

### **Problem: Fan runs, but there is little or no airflow.**

- Check duct runs for kinks. Check backdraft damper direction. Check duct connections to ensure inner coil is not collapsed. Check that fan impeller is spinning freely.

## CONTACT INFORMATION

Phone: **866.448.4187** (8am-5pm PST M-F)  
Email: **experts@airscapefans.com**

AirScape Inc.  
625 Charles Way  
Medford, OR 97501



## WARRANTY INFORMATION

### **Hardware**

AirScape warrants the original end user (“Customer”) that new AirScape fan products, including all moving parts, motors, dampers, and damper actuators will be free from defects in workmanship and materials, under normal use, for three (3) years from the original purchase date. Electronic timers are excluded and are warranted by the manufacturer.

### **Software**

AirScape warrants to Customer that the AirScape fan software will perform in substantial conformance to its program specifications for a period of three (3) years from the date of the original purchase.

### **Exclusions**

This warranty excludes (1) physical damage to the surface of the product, including cracks or scratches on the outside casing; (2) damage caused by misuse, neglect, improper installation, unauthorized attempts to open, repair, or modify the product, or any other cause beyond the range of intended use; (3) damage, caused by accident, fire, power changes, other hazard, or acts of God; or (4) use of the product with any unauthorized device if such device causes the problem.

### **Exclusive Remedies**

Should a covered defect occur during the warranty period and Customer notifies AirScape, Customer’s sole and exclusive remedy will be, at AirScape’s sole option and expense, to repair or replace the product. Replacement products or parts may be new or reconditioned or a comparable version of the defective item. AirScape warrants any replaced product or part for a period of ninety (90) days from shipment, or through the end of the original warranty, whichever is longer.

### **Obtaining Warranty Service**

Customer must contact and return product to AirScape, Product dealer or Installer within the applicable warranty period to obtain warranty service. Dated proof of original purchase will be required. AirScape will not be responsible for Customer’s memory data contained in, stored on, or integrated with any products returned to AirScape for repair, whether under warranty or not.

### **Warranty Exclusive**

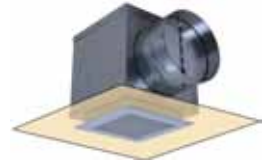
The forgoing warranties and remedies are exclusive and in lieu of all other warranties, express or implied, including warranties of merchantability, fitness for a particular purpose, correspondence with description, and non-infringement, all of which are expressly disclaimed by AirScape and its suppliers.

### **Disclaimer**

Neither AirScape nor its suppliers shall be liable for incidental, consequential, indirect, special, or punitive damages of any kind, or financial loss arising out of or in connection with the sale or use of this product, whether based in contract, tort (including negligence) or any other theory, even if AirScape has been advised of the possibility of such damages AirScape’s entire liability shall be limited to replacement or repair of the product.

# INSTALLATION TEMPLATE

Use this scale template to assist with the installation of the plenum(s).  
Additional copies available at [airscapefans.com/downloads.php](http://airscapefans.com/downloads.php)



\*Note: If printing, double-check the dimensions of printed template before using

